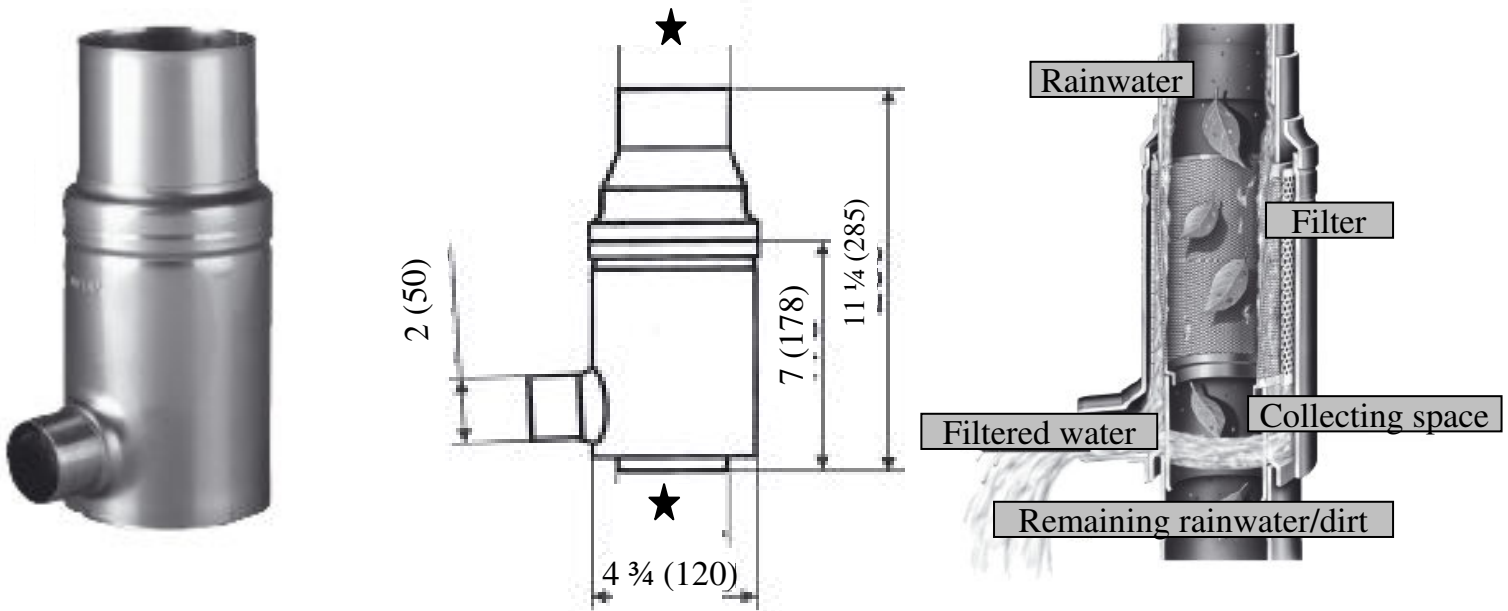


Function: Connects to a single vertical rainwater downspout and can filter up to a 850 – 1,000 square foot roof area for irrigation, car washing or other non-potable uses. The downspout filter collector is installed above grade in the vertical rainwater down piping to remove debris to the storm water system and divert 95% of the clean rainwater to the storage tank or rain barrel. The filter also operates as a first flush device. This filter should only be used with round downspouts.



- ★ The garden filter is available in a variety of sizes to fit metal downspouts with internal diameters of 3 (76), 3 1/8 (80), 3 1/2 (87) and 4 (100) or plastic downspouts with internal diameters of 2 3/4 (70, external diameter 2 15/16 (75)) or 4 (100, external diameter 4 1/3 (110)).

REGULARLY FURNISHED:

- Stainless Steel Filter, .011 inch
- Stainless Steel Fine Mesh Filter and
- Downspout Converter Kit (specify):
 - 2" x 3" Downspout Kit
 - 3" x 4" Downspout Kit

ACCESSORIES:

- Blind Insert - Used in place of the mesh filter to divert flow directly to the storm water system. Stainless Steel.
- 1" Flexible Hose with 2" Connection for Downspout Filter Mounting kit

NOTES: Filter Collector must be mounted plumb for proper operation.

A 90° elbow or optional 1" flexible hose (with 2" connection) must be installed directly on the 2" outlet to assure proper filtration.

A coarse mesh filter is available for areas prone to excessive particulate matter in the air, such as dust or pollen.

For a roof area above 1,000 square feet, garden filters should be added or a larger capacity filter used.

NOTE: Dimensions shown in parentheses are in millimeters.

GARDEN RAINWATER COLLECTOR