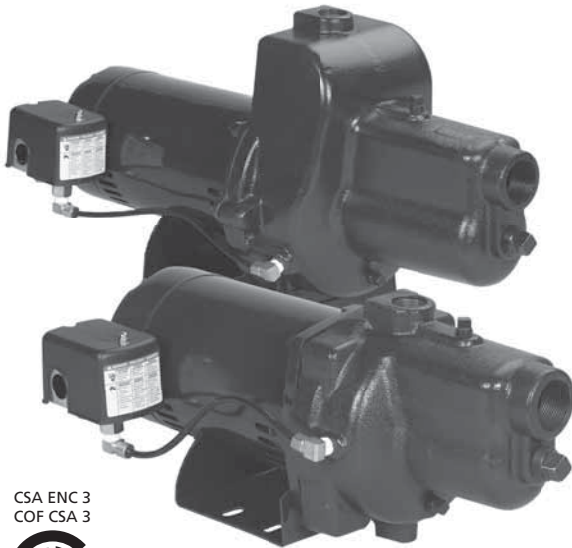


# Non-Submersible Pumps

## Jet Pumps - Shallow Well VersaJet

# J-CLASS VersaJet



**Revolutionary Patent Pending  
"Quick-Change" Jet Nozzle**

### Features:

- Impeller with stainless steel insert, diffuser, jet nozzle and venturi are all molded with Noryl®. Noryl® thermoplastic is a proven dependable material known for its properties to increase efficiency and hydraulic performance.
- Heavy-duty cast iron case ensures optimum durability and long life
- Floating stainless steel eye seal for maximum performance and efficiency
- Powered by a high quality, industry proven, UL778 approved indoor/outdoor motors from A.O. Smith
- Revolutionary Patent Pending "Quick-Change" jet nozzle replacement system allows easy customization of the pump. Performance can be changed quickly from a high pressure to a high flow set-up without removing the plumbing or opening the case.
- Dual voltage motor can be set to run at either 115V or 230V
- Pressure switch is installed and set at 30/50 psi
- Built-in drain plug for easy winterizing and servicing
- Handles water temperatures up to 120 °F/49 °C and shut-off pressures up to 90 psi
- 1" NPT discharge, 1-1/4" NPT suction
- UL778 approved for indoor or outdoor use

Noryl® is a registered trademark of G.E.

### Ordering Information:

(See pgs. 2-3 for model number explanation)

MODEL	HP	DISCHARGE/SUCTION	VOLTAGE	PUMP UNIT	
				ORDER NO.	WT.
JVJ05CI	1/2	1" x 1-1/4"	115/230	91160005	31
JVJ07CI	3/4	1" x 1-1/4"	115/230	91160007	34
JVJ1CI	1	1" x 1-1/4"	115/230	91160010	51
JVJ15CI	1.5	1" x 1-1/4"	115/230	91160015	56

Note: All weights in pounds.

# Non-Submersible Pumps

## Jet Pumps - Shallow Well

VersaJet

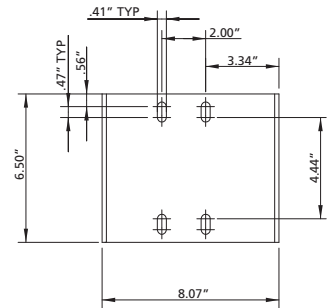
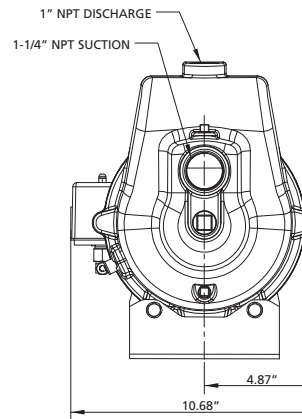
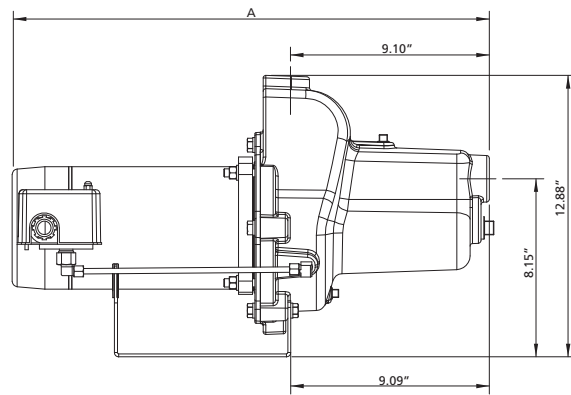
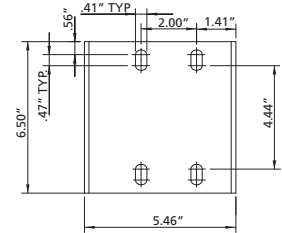
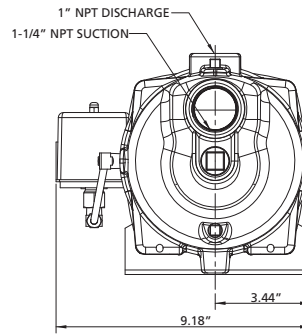
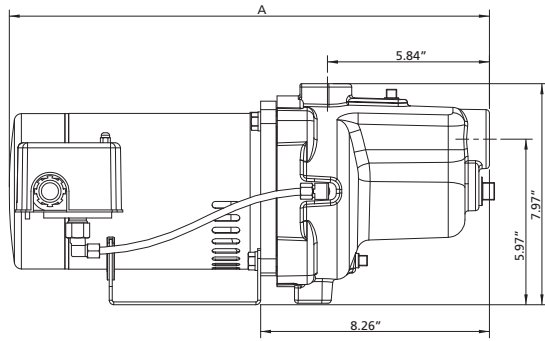
### Performance Chart:

VJ 1" DISCHARGE 1.25" SUCTION			DISCHARGE PRESSURE - PSI						SHUT-OFF PRESSURE PSI
MODEL	NOZZLE	TOTAL SUCTION LIFT FT	10	20	30	40	50	60	
			GALLONS PER MINUTE						
JVJ05CI	Nozzle B (Standard)	5	10.8	10.5	10.1	8.5	4.9	2.1	70
		10	9.4	9.1	8.7	7.5	4.1	1.6	
		15	8.0	7.7	7.4	6.5	3.4	1.1	
		20	6.2	6.0	5.7	5.3	2.6	0.5	
	Nozzle C (High Pressure)	5	9.8	8.9	8.3	7.6	6.3	4.0	86
		10	8.3	7.5	7.1	6.6	5.7	3.5	
		15	6.8	6.2	5.9	5.7	5.1	3.0	
		20	5.3	5.0	4.8	4.6	4.3	2.6	
	Nozzle A (High Flow)	5	12.8	12.5	12.1	5.2	-	-	47
		10	11.4	11.1	10.8	3.6	-	-	
		15	10.0	9.8	9.6	1.9	-	-	
		20	8.0	7.7	6.8	1.0	-	-	
		25	6.0	5.7	4.1	-	-		
JVJ07CI	Nozzle C (Standard)	5	16.3	15.6	15.1	14.1	9.0	3.8	70
		10	14.2	13.6	13.1	12.5	7.8	2.9	
		15	12.1	11.6	11.2	10.8	6.5	2.0	
		20	9.5	9.1	8.9	8.7	5.0	1.0	
	Nozzle D (High Pressure)	5	15.8	15.2	14.7	14.1	9.6	4.8	73
		10	13.9	13.2	12.8	12.4	8.5	3.9	
		15	11.9	11.1	10.8	10.6	7.5	3.0	
		20	9.2	8.8	8.6	8.5	6.2	1.8	
	Nozzle A (High Flow)	5	18.9	18.7	18.4	11.6	-	-	47
		10	16.8	16.6	16.3	8.0	-	-	
		15	14.8	14.5	14.2	4.4	-	-	
		20	11.8	11.6	11.2	2.2	-	-	
		25	8.8	8.7	8.1	-	-		
JVJ1CI	Nozzle B (Standard)	5	21.5	21.0	20.7	20.4	12.8	3.9	64
		10	19.2	18.8	18.5	18.2	11.3	2.0	
		15	16.9	16.6	16.3	16.0	9.7	-	
		20	13.6	13.4	13.2	13.0	7.4	-	
	Nozzle C (High Pressure)	5	20.4	19.8	19.4	19.1	14.6	7.7	71
		10	18.1	17.6	17.3	17.1	13.6	6.5	
		15	15.9	15.4	15.2	15.0	12.6	5.2	
		20	12.7	12.4	12.2	12.1	10.8	3.3	
	Nozzle A (High Flow)	5	23.3	23.0	22.7	20.2	7.6	-	54
		10	20.7	20.3	20.0	17.4	3.8	-	
		15	18.1	17.7	17.3	14.6	-	-	
		20	14.8	14.5	14.2	10.8	-	-	
		25	11.5	11.3	11.1	7.0	-		
JVJ15CI	Nozzle B (Standard)	5	29.0	28.6	28.2	27.8	24.0	11.6	66
		10	25.5	25.0	24.8	24.5	21.2	7.7	
		15	21.9	21.5	21.3	21.1	18.5	3.8	
		20	17.6	17.2	16.9	16.7	13.8	1.9	
	Nozzle C (High Pressure)	5	28.7	28.2	27.9	27.6	26.8	15.5	72
		10	25.3	24.8	24.4	24.0	23.4	13.3	
		15	21.9	21.4	20.9	20.5	20.1	11.2	
		20	17.4	17.1	16.8	16.6	16.3	7.0	
	Nozzle A (High Flow)	5	30.3	29.9	29.5	29.2	19.5	-	59
		10	26.9	26.6	26.2	25.9	15.9	-	
		15	23.6	23.3	22.9	22.6	12.4	-	
		20	19.0	18.8	18.5	17.9	6.2	-	
		25	14.5	14.3	14.1	13.2	-		

# Non-Submersible Pumps

## Jet Pumps - Shallow Well VersaJet

### Dimensions:



VERSAJET PRO DIMENSIONS	
HP	A
1/2	18.00"
3/4	21.78"
1	22.66"

VERSAJET DIMENSIONS	
HP	A
1/2	17.25"
3/4	18.00"
1	21.78"
1.5	22.66"

**Note:** Dimensions will vary according to motor manufacturer.